



TAD721VE

Optional equipment

Engine

- Intermittent and Continuous power settings Tier 2 or EU stage 2 compliance
- SAE 3 Flywheel housing
- Flywheel for clutch SAE 8", 10" and 11 1/2"
- Flywheel for Clark, ZF, and Allison transmissions

Lubrication system

- Central or deep front oil sump
- Oil dipstick in front, flexible type
- Remote oil filter
- Oilfilling on top and/or crankcase

Fuel system

- Fuel prefilter, heavy duty
- Handpump

Intake and exhaust system

- Low or high turbo-charger
- Exhaust to front or rear
- Electric or mechanical air restriction indicator, 50mbar

Cooling system

- Fan at separate bracket 210 to 398mm above crankshaft
- Fan on coolant pump
- Fan on crankshaft
- Fan ratio 1:1 - 1,26:1
- Suction or pusher type fans Ø470-700mm
- 2 fixed fan hubs, and 2 viscous type hubs.

Control system

- 12V / 24V Electrical stop, energized to run or to stop
- VDO-E Gas
- ECU with high altitude sensor

Electrical system

- Alternator, 28V / 55-80A high right or 28V / 55-140A low left
- Alternator, 14V / 95A high right or low left
- Starter motor, 24V / 5.5kW
- Starter motor, 12V / 3.1kW
- Speed sender, hourmeter, oilpressure sender and switch
- Extension cable 2.5m or 5m, engine to ECU

Miscellaneous

- Driving parts for hydr. pump on PTO A, B or C
- Hydr. pump on PTO B, 16cm³
- Coolant preheater
- Air compressor 150cm³, 300cm³ or 600cm³

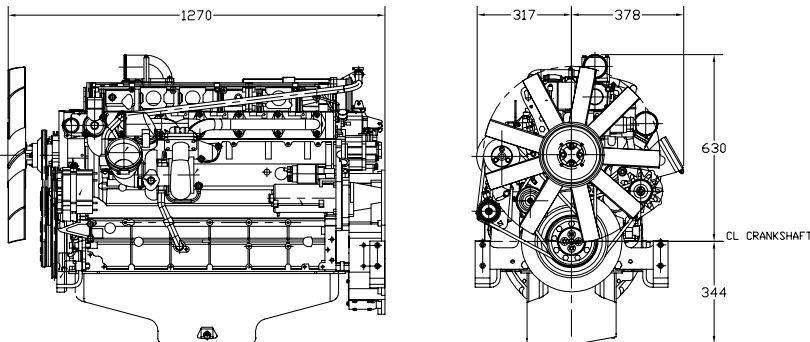
Technical Data

Engine designation	TAD721VE
IFN Power at 2300 rpm, kW (hp)	195 (265)
ICFN Power at 2300 rpm, kW (hp)	176 (239)
Torque at 1600 rpm, Nm (lbf ft).....	907 (669)
Displacement, l (in ³).....	7.15 (436)
Number of cylinders	6
Bore/stroke, mm (in.).....	108/130 (4.25/5.12)
Compression ratio, EU stage 2 / EPA Tier 2.....	19.0:1 / 18.4:1
Dry weight, kg (lb).....	680 (1500)

The engine performance corresponds to ISO 3046, BS 5514 and DIN 6271. The technical data applies to an engine without cooling fan and operating on a fuel with calorific value of 42.7 MJ/kg (18360 BTU/lb) and a density of 0.84 kg/litre (7.01 lb/US gal, 8.42 lb/Imp gal), also where this involves a deviation from the standards.

Dimensions TAD721VE

Not for installation



Note! Not all models, standard equipment and accessories are available in all countries. All specifications are subject to change without notice. The engine illustrated may not be entirely identical to production standard engines.

Power Standards

The engine performance corresponds to ISO 3046, BS 5514 and DIN 6271. The technical data applies to an engine without cooling fan and operating on a fuel with calorific value of 42.7 MJ/kg (18360 BTU/lb) and a density of 0.84 kg/litre (7.01 lb/US gal, 8.42 lb/Imp gal), also where this involves a deviation from the standards.

Rating Guideline

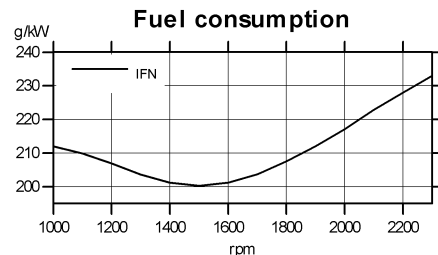
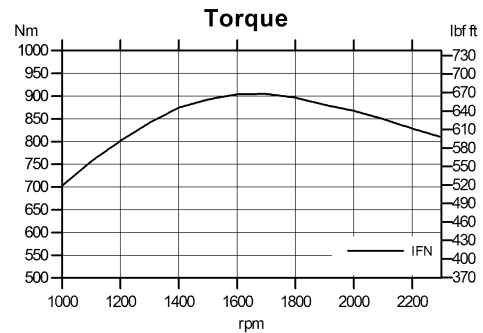
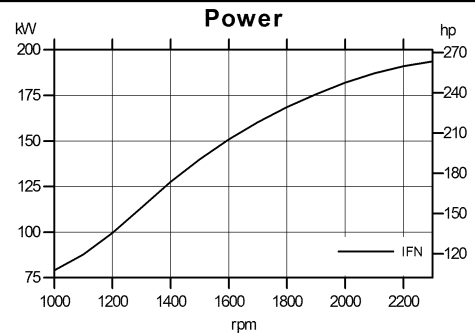
IFN Power rating corresponds to ISO Overload Power. It is intended for applications where intermittent power is utilized less than 1 hour within any period of 12 hours of continuous operation. The average load factor must not exceed the continuous rating.

ICFN Power rating corresponds to ISO Standard Power for continuous operation. It is intended for constant load applications with uninterrupted service at full load for extended periods of time.

Derating

The engine may be operated up to 1000 m altitude and 40°C ambient air temperature without derating. For operation at higher altitudes and temperatures the power should be derated according to the following factors:

Altitude derating factor < 3000 m	4 % / 500 m
Altitude derating factor > 3000 m	6 % / 500 m
Ambient temperature derating factor	2 % / 5 °C
Humidity	No derating



AB Volvo Penta

SE-405 08 Göteborg, Sweden
www.volvopenta.com

Kent Office: t: +44 (0)1634 687026 | Northampton Office: t: +44 (0)1604 636173
sales@cvs-pentapower.com www.cvs-pentapower.com